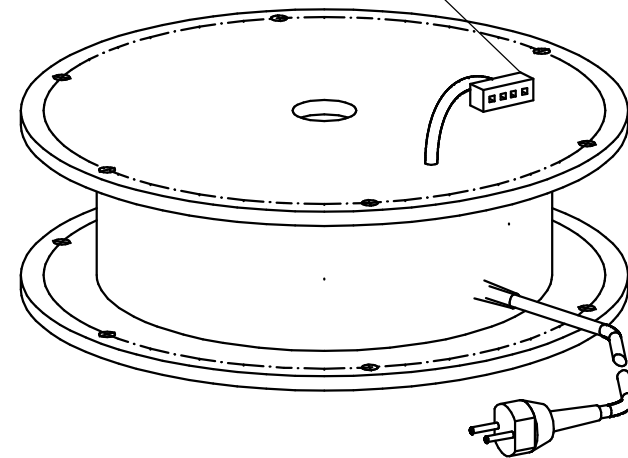


current pick-up 230V / 50Hz



Cable approx. 1.5 m long with switch provided on the connector

turntable model DSK 05

Bumat Bewegungssysteme GmbH
 Pfälzer Ring 30
 D-68766 Hockenheim

Tel.: +49 (0) 6205.9413-30
 Fax: +49 (0) 6205.9413-55
 info@bumat.com
 www.bumat.com

