

with facing strip

ø5500

ø5494 (multiplex)

height-adjustable skirt

multiplex

198 (skirt)

245

without facing strip

ø5494 (multiplex)

multiplex

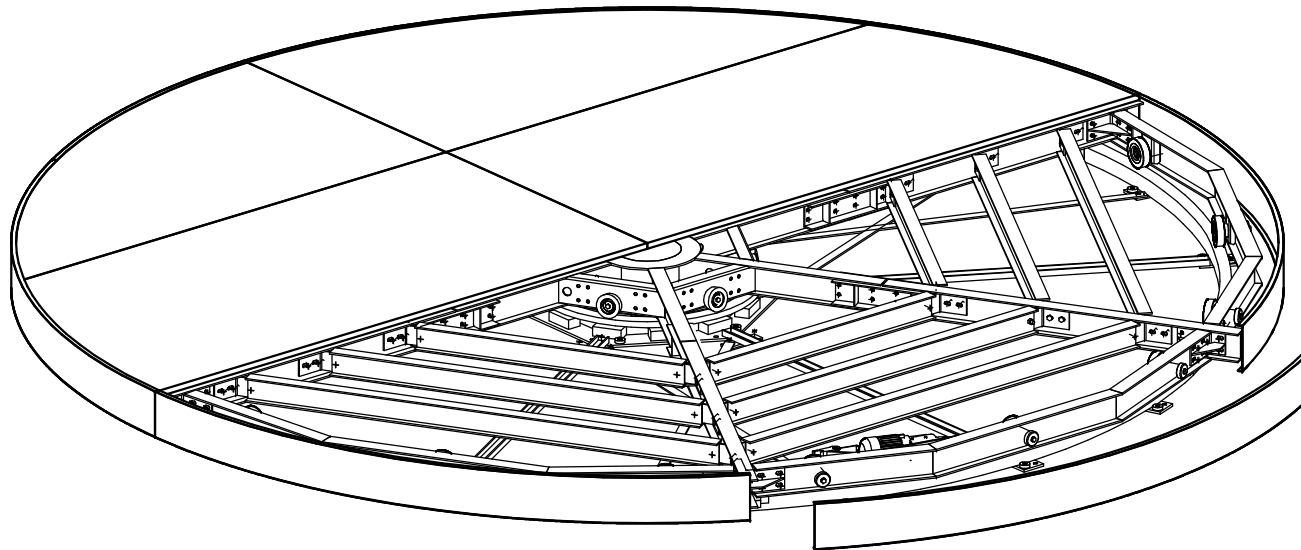
25

120

100

245

Motor



turntable model DSMA 55/50-12

Bumat Bewegungssysteme GmbH  
Pfälzer Ring 30  
D-68766 Hockenheim

Tel.: +49 (0) 6205.9413-30  
Fax: +49 (0) 6205.9413-55  
info@bumat.com  
www.bumat.com

